

PRODUCT'S PRESENTATION

This sweeper has been designed to sweep dirt and debris from exterior surfaces.

This appliance is designed for domestic use only. In order to be able to suck up all the debris, two rotating brushes and two side brushes work together and are driven from both sides by a rubber belt.

With its 20 L waste container, dirt from large surfaces can also be easily cleaned.

SAFETY INSTRUCTIONS



Read carefully this owner's manual before using the product.
Failure to comply with these instructions could result in personal injury and/or damage to the product.
Please keep the instructions for future reference.

Do not store it in dangerous places.

Keep the machine out of the reach of children.

It is not allowed to use it in dangerous places.

Make sure the machine is in good condition and works safely before use. Otherwise, the device must not be used.

The mechanism is not suitable for sweeping liquids and/or dangerous substances.

Do not sweep burning substances such as cigarettes, matches or similar objects.

Wear safety gloves when moving glass, metal, and other materials from the waste container.

Never sweep explosive liquids, combustible or acid gases, and undiluted solvents. These include gasoline, thinner, or heating oil, which can generate explosive vapors or mixtures when in contact with air. Acids and undiluted solvents should also be avoided as they can damage machine materials.

Please take local conditions into account and pay attention to third parties, especially children.

This machine cannot be used by people (including children) with reduced physical, sensory or mental capabilities or lack of experience and/or knowledge, unless they are supervised by a person responsible for their health. Children must be supervised to ensure that they do not play with this machine.

TECHNICAL SPECIFICATIONS

Machine type	Manual Push Sweeper
Maximum sweep speed	180m ² / h
Sweeper width	650 mm
Sweeper height	15 mm
Disc brush diameter	260 mm
Cylindrical brush size	108 x 350 mm
Net weight	9,6 kg
Hopper capacity	20 L

PARTS LIST

Dirt collection container
Main body
Left disk brush
Right Disc Brush
top cap
upper push handle
Lower push handle
carrying handle

ASSEMBLY

Install the left and right disc brushes on the main body of the product.

Once properly adjusted, place the lower and upper push bars through the top.

Secure well with the hooks.

Install the waste collection container from the top.

Put the top cover on.

OPERATION

The cordless mechanical sweeper has been designed to sweep flat and dry surfaces.

Use the machine only in cases that are explicitly indicated as appropriate use.

Activate the manual sweeper only when it is on the ground.

Once finished, remove and empty the dirt collection container.

At the end, store the product and its accessories in a dark, clean, dry place, preferably inaccessible to children.

If you prefer, you can fold the push arches of the sweeper to save space.

MAINTENANCE

Keep the sweeper clean of dirt and dust in the vents.

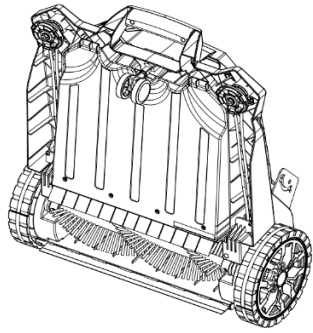
Clean the product with a damp cloth and/or mild soap. Do not use cleaning products or solvents as these could deteriorate the parts.

Blow with compressed air maintaining low pressure to remove dust.

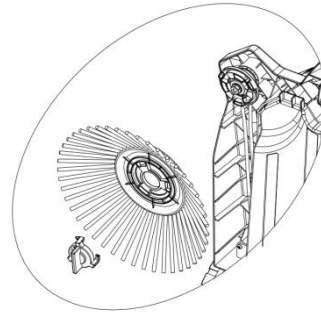
It is recommended to clean after each use.

PARTS LIST (EXPLODED VIEW)

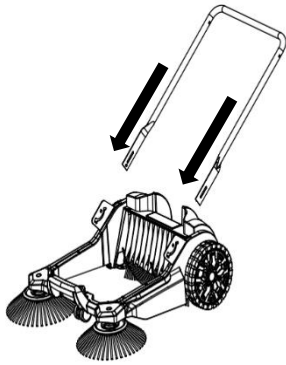
1.



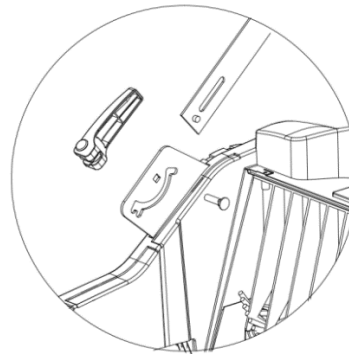
2.



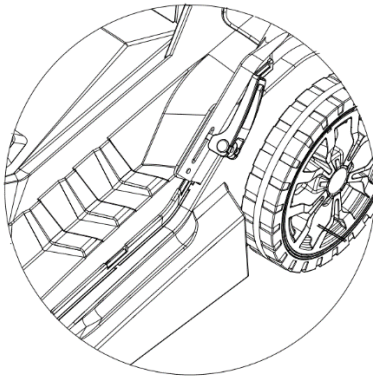
3.



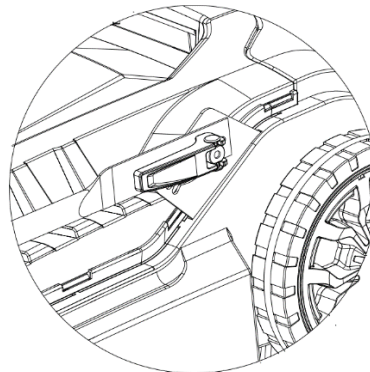
4.



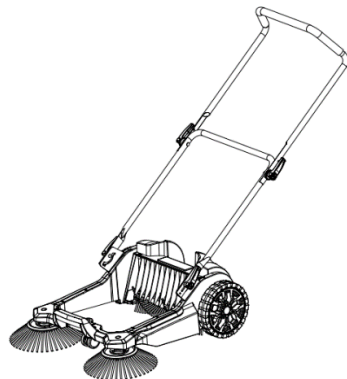
5.



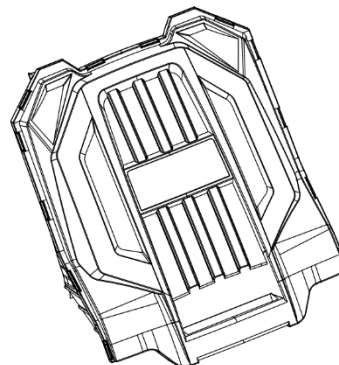
6.



7.

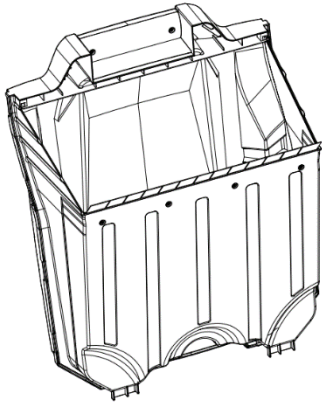


8.



9.

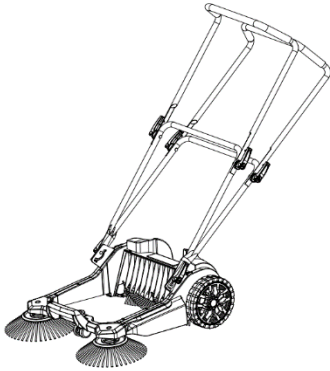
10.



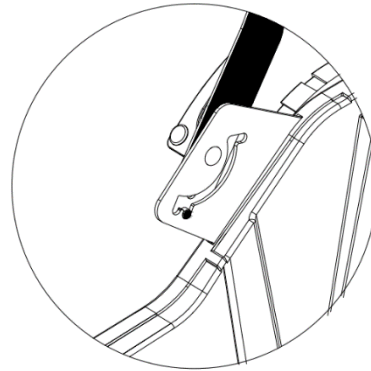
11.



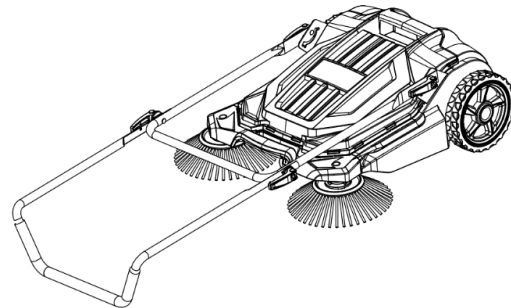
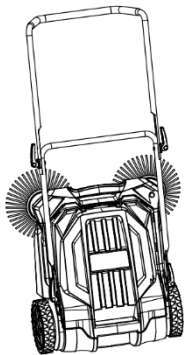
12.



13.



14.



CONTENTS

Mechanical sweeper with waste container
Assembly instructions